

Shortron_M12_4pol_Connect_Alle

28.10.2021

Pushbutton with 4-pole M12 connector



| General Data | |
|------------------------------|---|
| Type reference | S(VA)(SW)(T)(N)(TLR(L))(f)(WA)(WB)(WC)(L)(SSA...)(I)(O)(II)_Cyx x |
| Description | Short-stroke pushbutton with integrated M12 connector |
| Approvals | CE, cURus, ENEC10, VDE, UKCA |
| Contact type | 2 NO / 1 NC + 1 NO / 1 NC + L / 1 NO + L / 1 NC / L |
| Degree of protection | IP65/67 (T,TLR,N, in the front); IP65 (SSA,STA,STB,WA,WB,WC, in the front); IP65/67 (on the rear) |
| Operation travel | 2.3 mm (pushbutton) |
| Connection type | 4-pole M12 connector (integrated), A coded |
| Contact material | AgNi / AgNi, gold-plated 5µm (AU) |
| Max. storage temperature | -40°C ... 80°C |
| Max. operating temperature | -25°C ... 70°C |
| Mechanical life | switching cycles: 1 million (T, TL) 30,000 (WA, WAL, WB, WC, SSA) |
| Electrical life (rated load) | switching cycles: 1 million (T, TL), DC13: max. 100,000 30,000 (WA, WAL, WB, WC, SSA) |
| Contact resistance NO | < 50 mOhm (new state) |
| Contact resistance NC | < 50 mOhm (new state) |
| Bouncing time NO | < 10ms |
| Bouncing time NC | < 10ms |
| Positive opening contact | acc. to EN60947-5-1,appendix K |

| Electrical data acc. to IEC/EN 60947-5-1 (VDE 0660 Sect. 200) | | |
|---|-------------------|----------------|
| | alternate current | direct current |
| Utilisation category | AC15 | DC13 |
| Rated insulation voltage Ui | 50 V | 50 V |
| Rated operating voltage Ue | 35 V | 35 V |
| Rated operating current Ie | 4 A | 2 A |
| Breaking capacity | - | - |
| Continuous thermal current | 4 A | - |



Technical Data - Lamp

| | |
|-------------------|--------------------------------------|
| Lamp socket | none, with integrated 3 mm LED white |
| Max. lamp voltage | 30 V AC/DC |
| Max. lamp output | 14 mA (at 24 V DC) |

Additional data

| | |
|----------------------------------|------------------------------|
| Mounting aperture | 22.3 mm |
| Tightening torque (mounting nut) | 1.5 ... 1.9 Nm |
| Release | twist release, left or right |
| Mounting position | any |
| Standards | EN 60947-5-1, EN 61058-1 |
| Material group | I |
| Overvoltage category | II |
| Pollution degree | 2 |

Electrical features gold-plated contacts

| | |
|-----------------------------------|--------------------|
| Operational voltage | 20 mV...35 V AC/DC |
| Switching current | 1 mA ... 100 mA |
| Breaking capacity (ohmic load) | 250 mW |
| Contact resistance (new state) | < 50 mOhm |
| Tightening torque (M12-connector) | max. 0.4 Nm |

Note

NC / NO ...NC contact / NO contact

S ...Shortron
 VA ...stainless steel
 SW ...black
 N ...pilot light
 T ...pushbutton head
 TLR(L)(f) ...pushbutton with ring illumination (f=colour: W,R,Y,G,B)*2; (L=lasered)
 SSA12-31 ...key switches
 WA ...selector switch, 2 positions, maintained
 WB ...selector switch, 3 positions, maintained
 WC ...selector switch, 3 positions, maintained/momentary
 L ...illumination option
 *2 with ring illumination

...Cyxx
 "y" version
 0 = 4-pole connector, silver contact
 3 = 4-pole connector, gold-plated contact



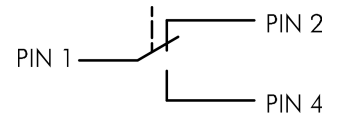
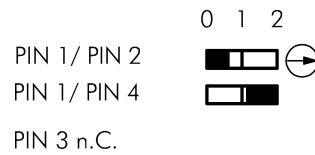
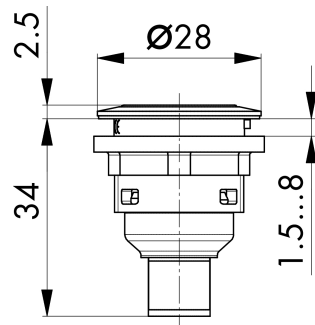
"xx" pin assignment
 xx Pin 1 Pin 2 Pin 3 Pin 4 Type
 01 - - - - -
 02 NO (1) NO (1) NO (2) NO (2) 2 NO
 03 NC NC NO NO 1 NC 1 NO
 04 NC NC LED - LED + 1 NC + LED
 05 NO NO LED - LED + 1 NO + LED
 06 NC NC n.c. n.c. 1 NC
 07 NO NO n.c. n.c. 1 NO
 08 COM NC n.c. NO 1 NC 1 NO
 09 COM NO (1) n.c. NO (2) 2 NO
 10 n.c. n.c. LED - LED + LED

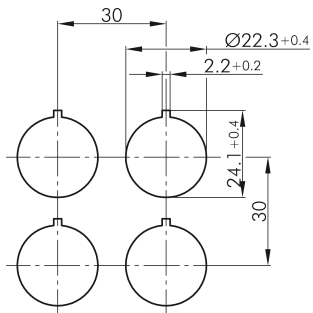
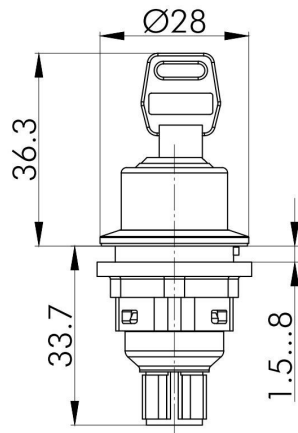
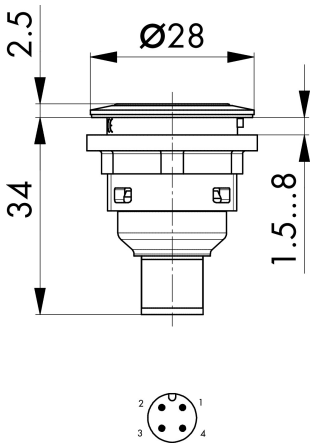
Safety instructions / mounting instructions
 - the connector must not be connected or disconnected under load
 - the single connector pin may be loaded with max. 4 A
 - for types with bridged connection ("COM", pin assignment xx = 08, 09) a max. of 1 A is allowed

Photos (exemplary)

Test data acc. to UL60947-5-1 / C22.2 No. 60947-5-1

Rating 24 V DC 2 A general purpose





[Bild exemplarisch]

